

# 200 series

Joystick, Z-axis control  
and Touchscreen



CS200XY joystick

CS200Z Z-axis control

TS200 touchscreen with control software for Prior Scientific products

# Smooth ergonomic control for stage and focus

## Adjustable speed control for different applications

Operating microscope stages and focusing devices for extended periods can be strenuous. Prior Scientific's CS200 series controls are ergonomically designed according to customer feedback to ensure comfortable operation. Depending on your application, the Prior Scientific CS200XY joystick and CS200Z Z-axis controller can be used together or individually.



CS200Z Z-axis control

CS200XY joystick XY-axis control

## Easy to use

The CS200Z and CS200XY have a speed control button located on the side of the unit. Separate units enable control focussing and stage simultaneously, making the microscope work faster with less user fatigue.

The **CS200XY** joystick is compatible with Prior Scientific's full range of stages.

[Motorized Stages >>](#)

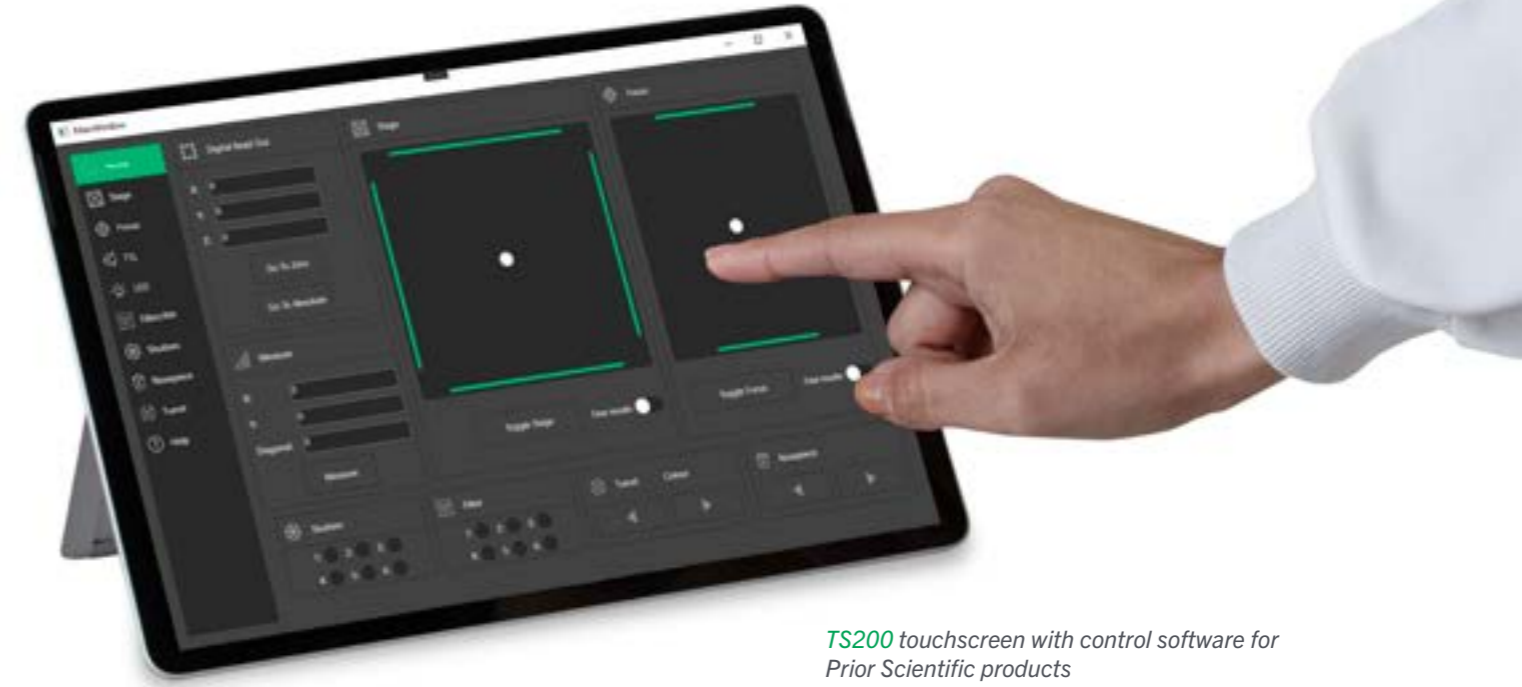
Controllers:  
[OptiScan ES11 >>](#)  
[ProScan III Controller >>](#)

The **CS200Z** Z-axis control is compatible with Prior Scientific's full range of focus devices.

Focus products:

[Stepper Motor Focus Drive >>](#)  
[Z-Axis Motorized Focusing Mounts >>](#)

Controllers:  
[Controllers and Focus Controller >>](#)



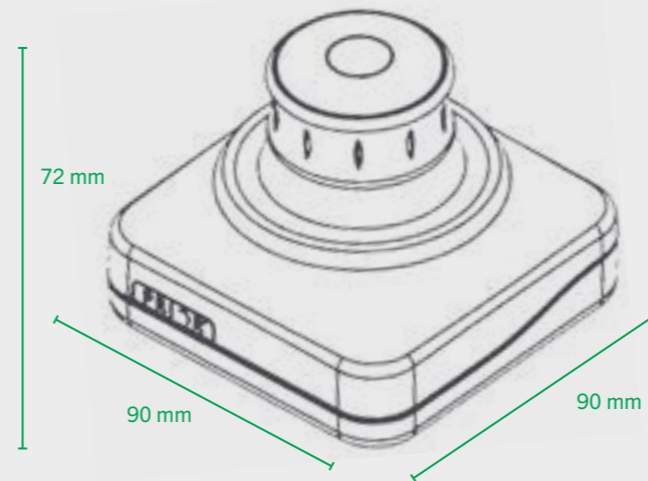
TS200 touchscreen with control software for Prior Scientific products

## Full system control at your fingertips

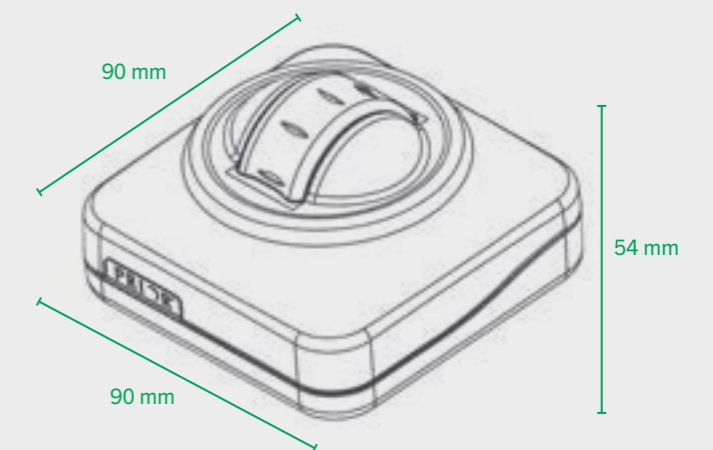
The easy-to-use TS200 touchscreen and control software is built on a large Windows touchscreen tablet. The intuitive software allows full control of all Prior Scientific products and can be used to configure product parameters to a specific application.

## Dimensions

### CS200XY joystick



### CS200Z Z-axis control



## Order information

Part	Description
CS200XY	Joystick control unit
CS200Z	Focus control unit
TS200	Touchscreen control centre

Contact sales for price information >>

**PRIOR**<sup>®</sup>  
*Scientific*

 [prior.com](http://prior.com)  
 [linkedin.com/company/prior-scientific](https://www.linkedin.com/company/prior-scientific)  
 [@PriorScientific](https://twitter.com/PriorScientific)

### UNITED KINGDOM

Prior Scientific Instruments Ltd.  
Units 3-4 Fielding Industrial Estate  
Wilbraham Road, Fulbourn  
Cambridge, CB21 5ET  
United Kingdom  
**Email:** [inquiries@prior.com](mailto:inquiries@prior.com)  
**Phone:** +44 (0)1223 881711

### U.S.A.

Prior Scientific, Inc.  
80 Reservoir Park Drive  
Rockland, MA. 02370  
U.S.A.  
**Email:** [info@prior.com](mailto:info@prior.com)  
**Phone:** 781.878.8442

### GERMANY

Prior Scientific Instruments GmbH  
Maria Pawlowna Strasse 4  
D-07743 Jena, Germany  
**Email:** [jena@prior.com](mailto:jena@prior.com)  
**Phone:** +49 (0)3641 24 20 10

### JAPAN

Prior Scientific KK  
Kayabacho 3rd Nagaoka Bldg 10F,  
2-7-10, Nihonbashi Kayabacho, Chuo-Ku,  
Tokyo103-0025, Japan  
**Email:** [info-japan@prior.com](mailto:info-japan@prior.com)  
**Phone:** 03-5652-8831

### CHINA

Prior Scientific Instruments (Suzhou) Ltd.  
509 Tayun Plaza, 188 Tayun Road  
Suzhou, 215000, China  
**Email:** [info-china@prior.com](mailto:info-china@prior.com)  
**Phone:** +86 (0)512 6617 5866



FM 61600

