

HF108FC

Widefield 8 position motorized filter turret

Prior's HF108FC widefield filter turret provides an excellent high capacity, durable platform for system integrators to build cutting edge fluorescence instruments.

Compatible with 25 mm and 32 mm filter cubes and offering eight positions, the HF108FC is ideal for high-plex, high sensitivity fluorescence instruments requiring a large number of dedicated single channel filter sets or for systems combining fluorescence imaging with classical industrial imaging modalities such as reflected darkfield or DIC. The HF108FC works well in life science, materials science, and hybrid imaging systems.

For higher speed fluorescence imaging, The HF108FC can be combined with Prior's HF108B high speed filter wheel, multiband dichroic beamsplitters and single band emission filters using the same controller, creating an optimally synchronized imaging workflow.



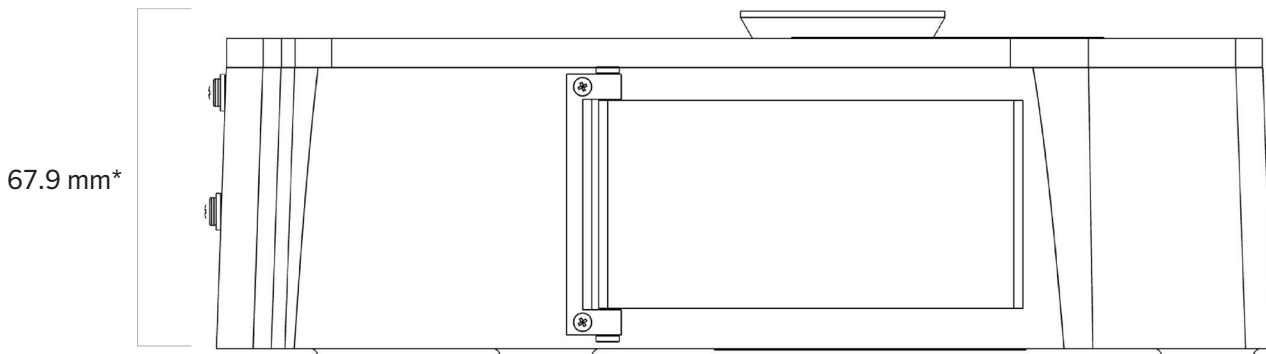
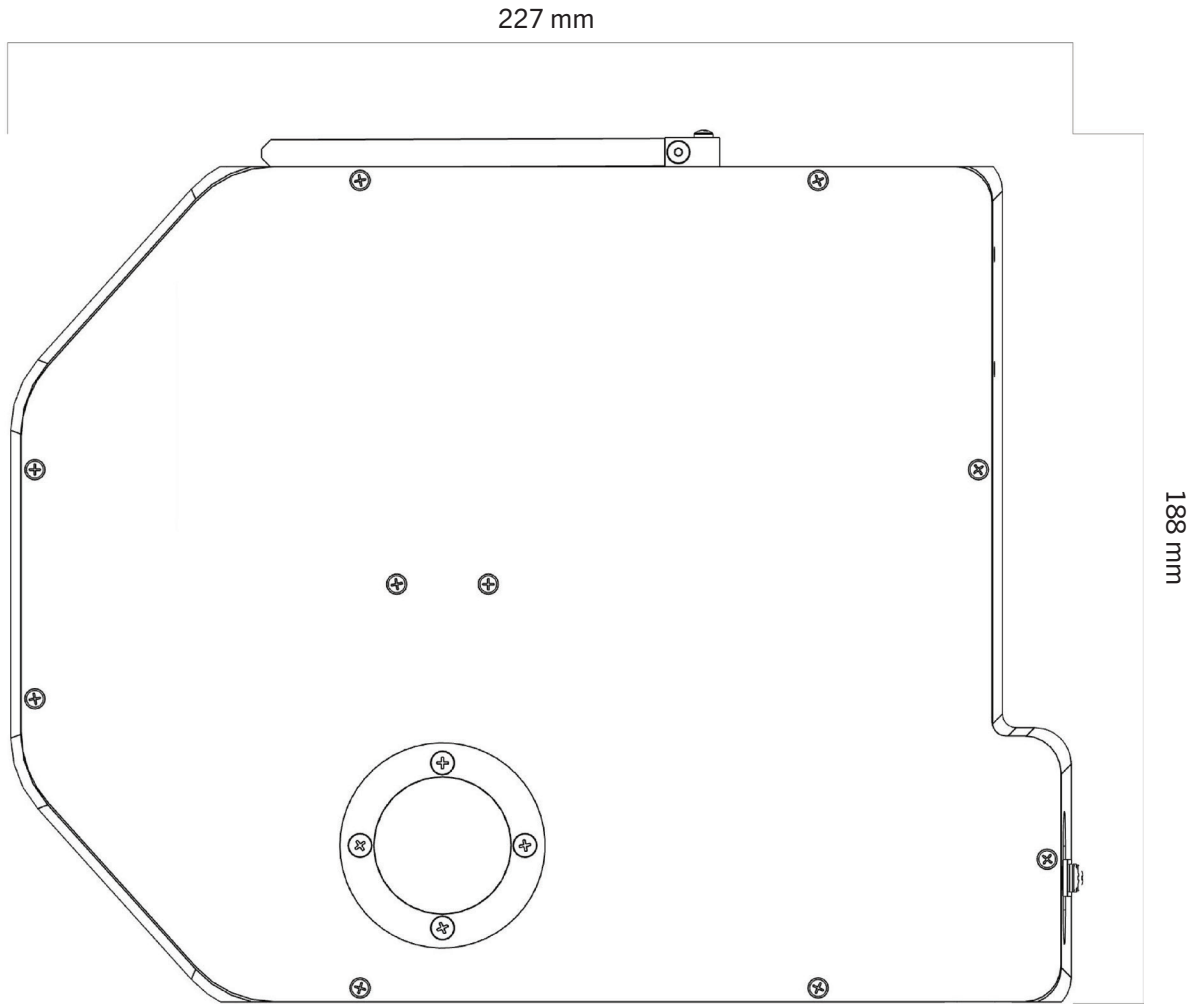
Key Features

- Compatible with up to eight 25 mm and 32 mm cubes (Nikon format).
- 200 ms switching time between adjacent positions.
- Can be used in both upright and inverted imaging system configurations.
- Variety of mounting points for system integrators.
- Life tested to 20 million cycles.

Applications

- Fluorescence microscopy
- Confocal and super-resolution microscopy
- Automated high content screening
- Industrial microscopy

Dimensions



*Excludes removable dovetail shown in diagram.

Specifications

HF108FC

Number of filter cubes	8
Cube type*	25 mm or 32 mm
Cube change time**	<200 ms
Turret thickness (excluding adapters)	67.9 mm
Weight	3.2 kg
Maximum recommended drive current	1500 mA

*Nikon standard (25 mm) or XL (32 mm) cube formats.

**Movement time between two adjacent positions when using a ProScan III controller with default settings. Default settings are close to maximum speed.

Ordering Information

Part Number	Description
HF108FC	8-position motorized filter cube turret. Compatible with Nikon format 25 mm and 32 mm cubes.

UNITED KINGDOM

Prior Scientific Instruments Ltd.
Units 3-4 Fielding Industrial Estate
Wilbraham Road, Fulbourn
Cambridge, CB21 5ET
United Kingdom
Email: inquiries@prior.com
Phone: +44 (0)1223 881711

U.S.A.

Prior Scientific, Inc.
80 Reservoir Park Drive
Rockland, MA. 02370
U.S.A.
Email: info@prior.com
Phone: +1 781 878 8442

GERMANY

Prior Scientific Instruments GmbH
Maria-Pawlowna-Str. 4
D-07743, Jena, Germany
Email: jena@prior.com
Phone: +49 (0)3641 242 010

JAPAN

Kayabacho 3rd Nagaoka Bldg 10F,
2-7-10, Nihonbashi Kayabacho, Chuo-Ku,
Tokyo103-0025, Japan
Email: info-japan@prior.com
Phone: +81 (0)3 5652 8831

CHINA

Prior Scientific Instruments (Suzhou) Ltd.
Room 118, Meilihua Hemu Park
No. 393 Suhong Middle Road, Suzhou Industrial Park
Suzhou, 215000, China
Email: info-china@prior.com
Phone: +86 (0)512 6617 5866

